

Model	Sorter Adapter Type G	Volt/Hz	Date of Modification	Serial Number
Modified Article	Parts catalog			
Reason for Modification	Parts catalog correction			

Please correct your parts catalog as follows:

Incorrect P/N	Correct P/N	Description	Q'ty	Parts Catalog	
				Index No.	Page
A3281162	A3281164	Upper Exit Cover	1 → 1	1	3

T. Ito, Manager
Copier Technical Support

MODEL NAME	V/Hz	DESTINATION	CODE	SERIAL NUMBER
SAVIN Sorter Stapler 9330/35/9270	115/60	USA, Canada	A328-15	/
RICOH Sorter Stapler Type G	115/60	USA, Canada	A328-17	
	230/50	Europe etc.		
NRG SA313	115/60	USA, Canada	A328-25	
	230/50	Europe etc.		
INFOTEC SA33	230/50	Europe	A328-26	

Model : Sorter Adaptor Type G

MB No. : 2 **Issued on:** July 15, '94 **Total pages :** 2

The following parts numbers were listed by mistake. Please replace the MB with the new one.

Incorrect

P/N	Description	Q'ty Used	Parts Catalog	
			Index No.	Page
AA066130	Front Spring	1	26	3
AA066131	Rear Spring	1	27	3

Correct

P/N	Description	Q'ty Used	Parts Catalog	
			Index No.	Page
52054527	Spring - Exit	2	26	3

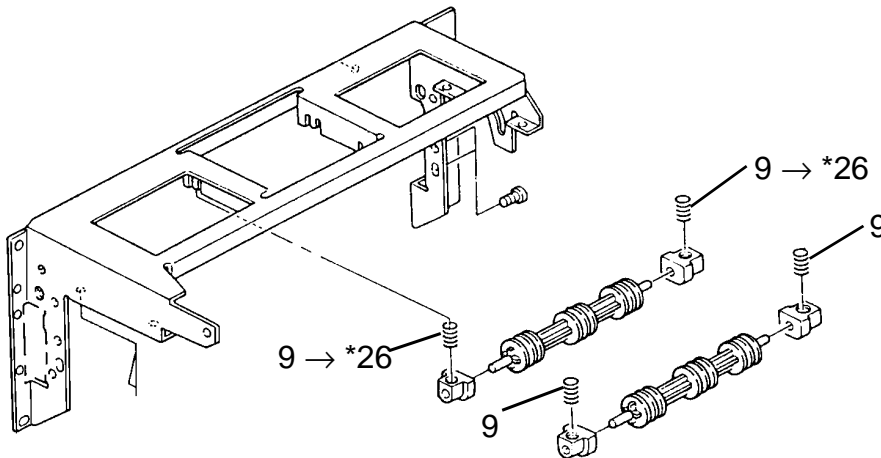
S. Hamano, Assistant General Manager
Technical Support Department

Model	Sorter Adapter Type G	Volt/Hz	Date of Modification	Serial Number
Modified Article	Parts Catalog			
Reason for Modification	Parts Catalog Correction			

Please correct your parts catalog as follows:

	P/N	Description	Q'ty Used	Parts Catalog	
				Index No.	Page
Incorrect	AA063164	Pressure Spring	4	9	3
Correct	AA063164	Pressure Spring	2	9	3
	52054527	Spring - Exit	2	* 26	3

* New Index



S. Hamano, Assistant General Manager
 Technical Support Department

MODEL NAME	V/Hz	DESTINATION	CODE	SERIAL NUMBER
SAVIN Sorter Stapler 9330/35/9270	115/60	USA, Canada	A328-15	/
RICOH Sorter Stapler Type G	115/60	USA, Canada	A328-17	
	230/50	Europe etc.		
NRG SA313	115/60	USA, Canada	A328-25	
	230/50	Europe etc.		
INFOTEC SA33	230/50	Europe	A328-26	